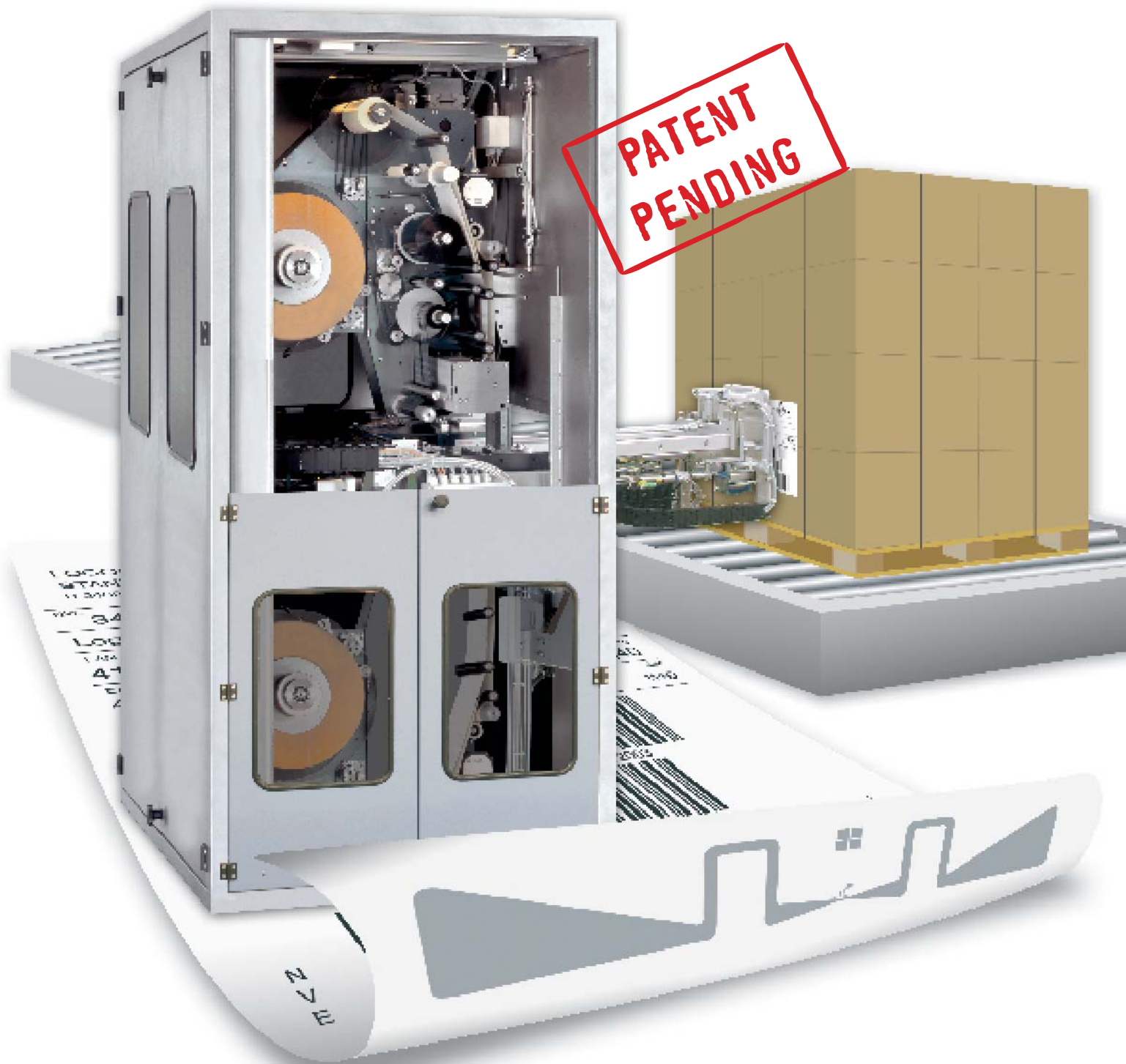




Logopak[®]

New print and apply labelling machines
for the beverage industry





New print and apply labelling machines for the beverage industry

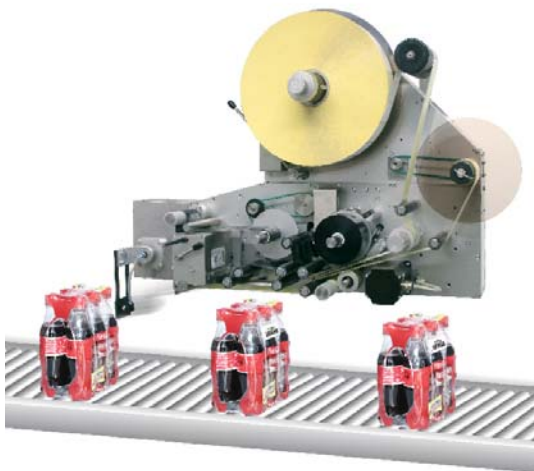
Member of **METRO Group**
Future Store Initiative

Logomatic 920 RFID tag-on-demand

The intelligent combination – proven Logomatic print and apply systems and innovative transponder-technology. Optimal flexibility for coding and identifying bulk goods
Highly developed Logomatic print and apply labelling machines are widely in use for identifying pallets and other traded units by means of self-adhesive labels with barcodes and human readable data.



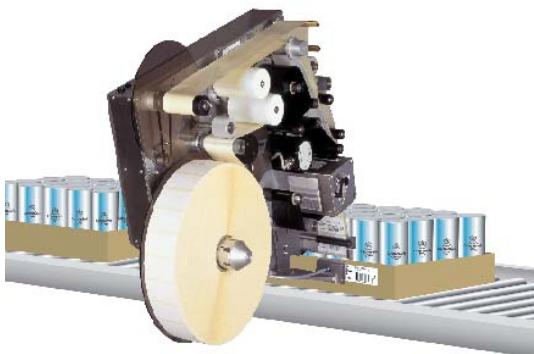
RFID-label



Logomatic 2906 F

Tray labelling

- High speed print and apply System for traded units
- Up to 110 packs/min for batch type production
- 800 meters material stock



Logomatic 2906 B 90 RFID

Tray labelling

- High speed print and apply System for traded units
- Up to 80 packs/min for batch type production
- 800 meters material stock

Logopak Systeme
Dorfstraße 40
D-24628 Hartenholm

Logopak Int.Ltd.
Kettlestring Lane
Clifton Moor, York YO30 4XF
Great Britain

Logopak S.A.
1, Rue M. Berthelot
BP 76
F-91 323 Wissous

Logopak Benelux B.V.
Jadelaan 123
P.O. Box 465
NL-2130 AL Hoofddorp

Logopak Systems AB
Lilla Bommen 1
SE-411 04 Göteborg

Logopak Vertriebsgesellschaft
West mbH
Lintorfer Waldstraße 10
D-40489 Düsseldorf

Logopak Vertriebsgesellschaft
Süd mbH
Mönsheimer Straße 20
D-71299 Wimsheim

www.logopak.com
Tel. (0 41 95) 99 75-0
Fax (0 41 95) 12 65

Tel. (0 19 04) 69 23 33
Fax (0 19 04) 69 07 28

Tel. (01) 64 47 15 16
Fax (01) 69 20 25 74

Tel. (0 23) 5 55 50 80
Fax (0 23) 5 55 67 79

Tel. (0 31) 7 00 12 30
Fax (0 31) 15 12 01

Tel. (02 03) 7 42 23-0
Fax (02 03) 7 42 23 39

Tel. (0 70 44) 95 44 70
Fax (0 70 44) 95 44 71